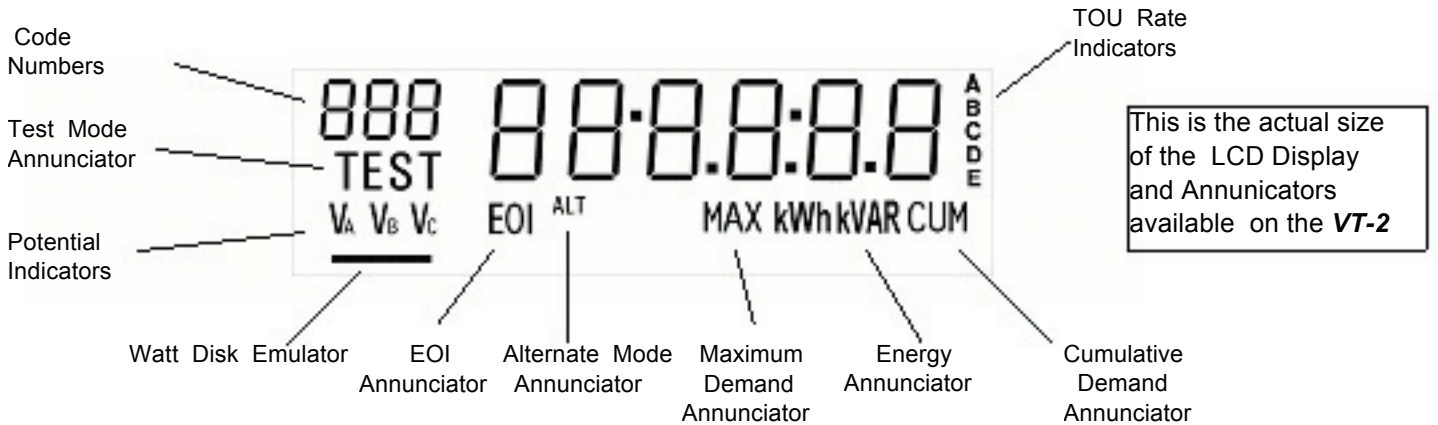


The VT-2 Display and Specifications



- Six large digits display all billing and informational data
- The Test Mode Annunciator will flash when the meter is displaying per phase current & voltage information
- Potential indicators will flash if a phase drops 20% below the nominal point
- The Watt Disk Emulator simulates a mechanical disk revolution and scrolls at a rate based on the K_h

Specifications:

Operating Range:

Voltage: 96 - 528 Volts (absolute)
 Current: See Current Transformers
 Frequency: 47Hz to 63Hz
 Temperature: -40° C to +85° C
 Humidity: 0 to 95% non-condensing

Accuracy:

	Unity	50%
Power Factor	0.2%	0.5%
Test Amps/10	0.1%	0.4%

Burdens:

Current Circuit: Phase A, B, C 1VA maximum
 Voltage Circuit: Phase A 8.6VA max.
 power circuit
 Phase B & C 0.24 VA max.

Insulation, Surge Protection and Performance:

Conforms to ANSI C12.1, ANSI C12.16
 ANSI/IEEE C37.90.1 - 1989
 IEC 801-4 (4kV) 1988

FCC Part 15 and FCC 68

Type: Metal Oxide Varistors
 line to neutral and neutral to ground

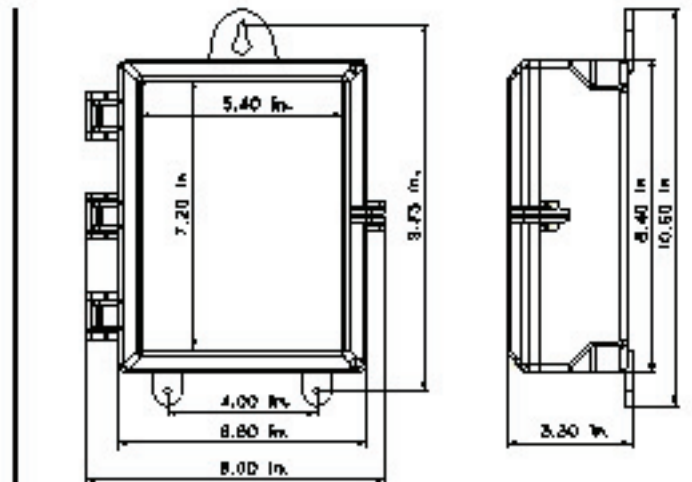
Ratings: 480 VAC RMS continuous
 4400V peak fast transient
 4000A peak transient

Enclosure:

GE Lexan 5V Fire Rating
 NEMA 4X Rating

Options:

Pulse Output 2 3-Wire, KYZ form C Solid State Outputs
 1 2-Wire, form A Solid State Output
 Modem Bell 212 Direct Dial, Parallel up to 5 meters
 Data Recorder 32k of Mass Memory for 1 or 2 channels of Load Profile Data
 RS485 Card Communication Card for networking up to 250 metering points



Enclosure Dimensions

Solid Core Current Transformers

Size	Spec #	I.D.	O.D.
100 Amp	512137-001	.75 in.	2.34 in.
200 Amp	512072-001	1.05 in.	2.70 in.
400 Amp	512235-001	1.90 in.	3.56 in.
800 Amp	512372-001	2.50 in.	4.70 in.

Split Core Current Transformers

Size	Spec #	I.D. (in.)	O.D. (in.)
100 Amp	512274-011	1.00 x 2.15	3.70 x 4.00
200 Amp	512274-012	1.25 x 2.24	3.77 x 4.00
400 Amp	512274-013	2.25 x 3.40	4.35 x 4.60
600 Amp	512274-014	2.25 x 3.40	4.35 x 4.60
800 Amp	512274-015	3.12 x 4.40	5.25 x 5.70
1000 Amp	512274-016	3.12 x 4.40	5.25 x 5.70
1200 Amp	512274-017	3.12 x 6.40	5.25 x 7.70
1600 Amp	512274-018	3.12 x 6.40	5.25 x 7.70
2000 Amp	512274-019	3.12 x 7.90	5.25 x 9.10
2500 Amp	512274-020	3.12 x 7.90	5.25 x 9.10
3000 Amp	512274-022	3.12 x 7.90	5.25 x 9.10

Visit our web page for additional information at www.globalpowerproducts.com

The Ultimate Utility Grade Submeter

The VT-2

from
Global Power Products



Patent Pending

The VT-2 is a solid-state multifunction watt-hour meter capable of displaying kWh, Demand, Time Of Use, and KVA or kVAR readings. Data is displayed on a liquid crystal display (LCD) along with potential indicators and consumption annunciators. The VT-2 meter features an on-site monitoring system to ensure that the meter installation and system are accurate and operating correctly. The Test Mode, which displays instantaneous per phase voltage and current readings can be activated using a magnet.

Product Availability

Number	Description
VT2-4000	Energy Meters (kWh Only)
VT2-4100	Energy and Demand Meters (kWh & KW)
VT2-4200	Energy, Demand, and Time Of Use
VT2-4300	Energy, Demand, Time Of Use, and kVAR
VT2-4400	Energy, Demand, Time Of Use, & Data Recorder
VT2-4500	Energy, Demand, Time Of Use, kVAR or KVA, & Data Recorder

VT-2 Accessories, Options & Software

KYZ Pulse Output and Demand Threshold Contact
Demand Threshold Alarm Output Kit
RS 232/485 Communication Card
Modem, Bell 212 Direct Dial Modem
Data Recorder 32K of Mass Memory
Schlumberger Industries EnergyTrac Software



Call 1-800-VT-METER or your Local Representative for Additional Information
Global Power Products, 225 Arnold Road, Lawrenceville Georgia 30039, 770-736-8232

Visit our web page for additional information at www.globalpowerproducts.com